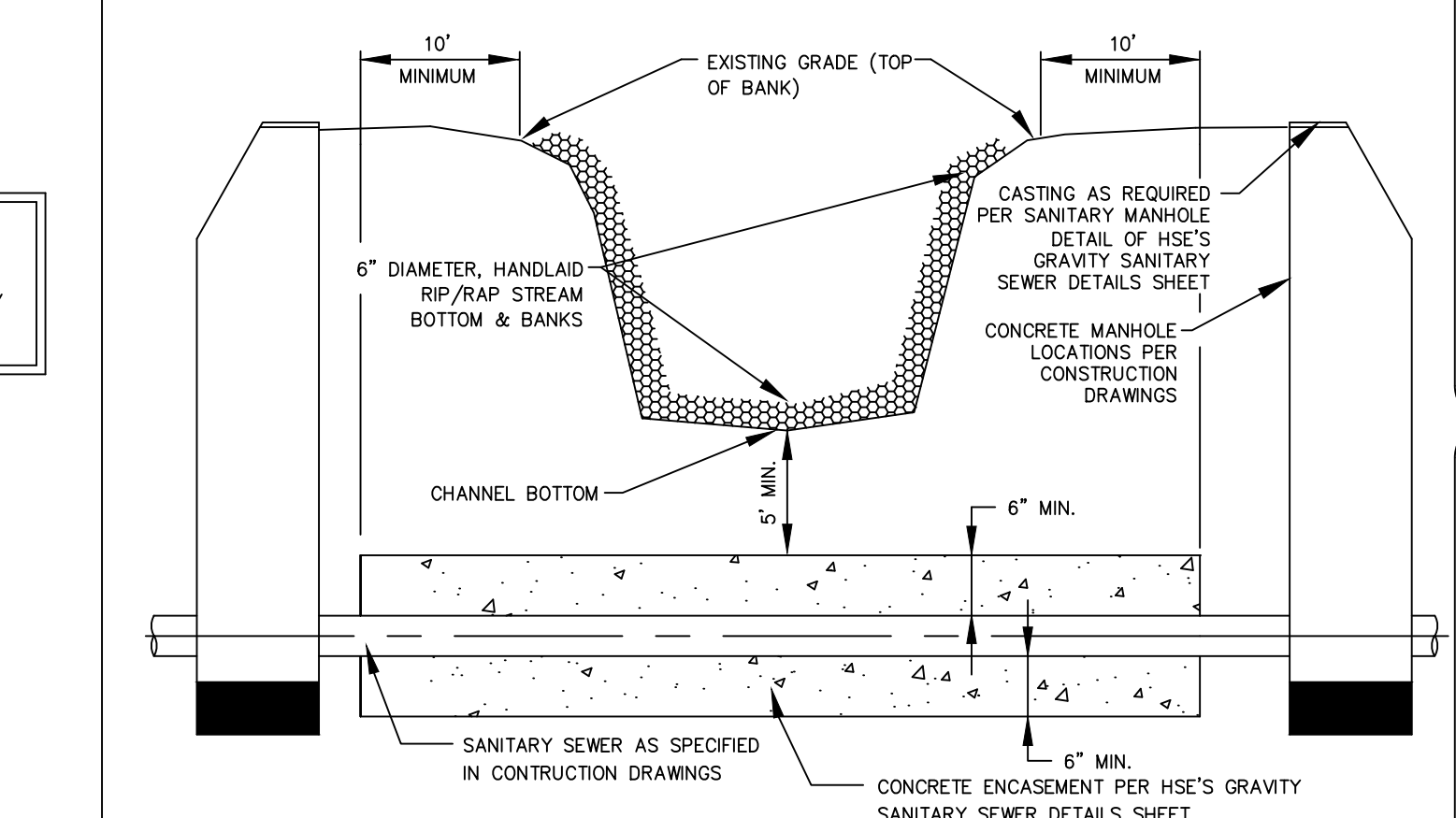
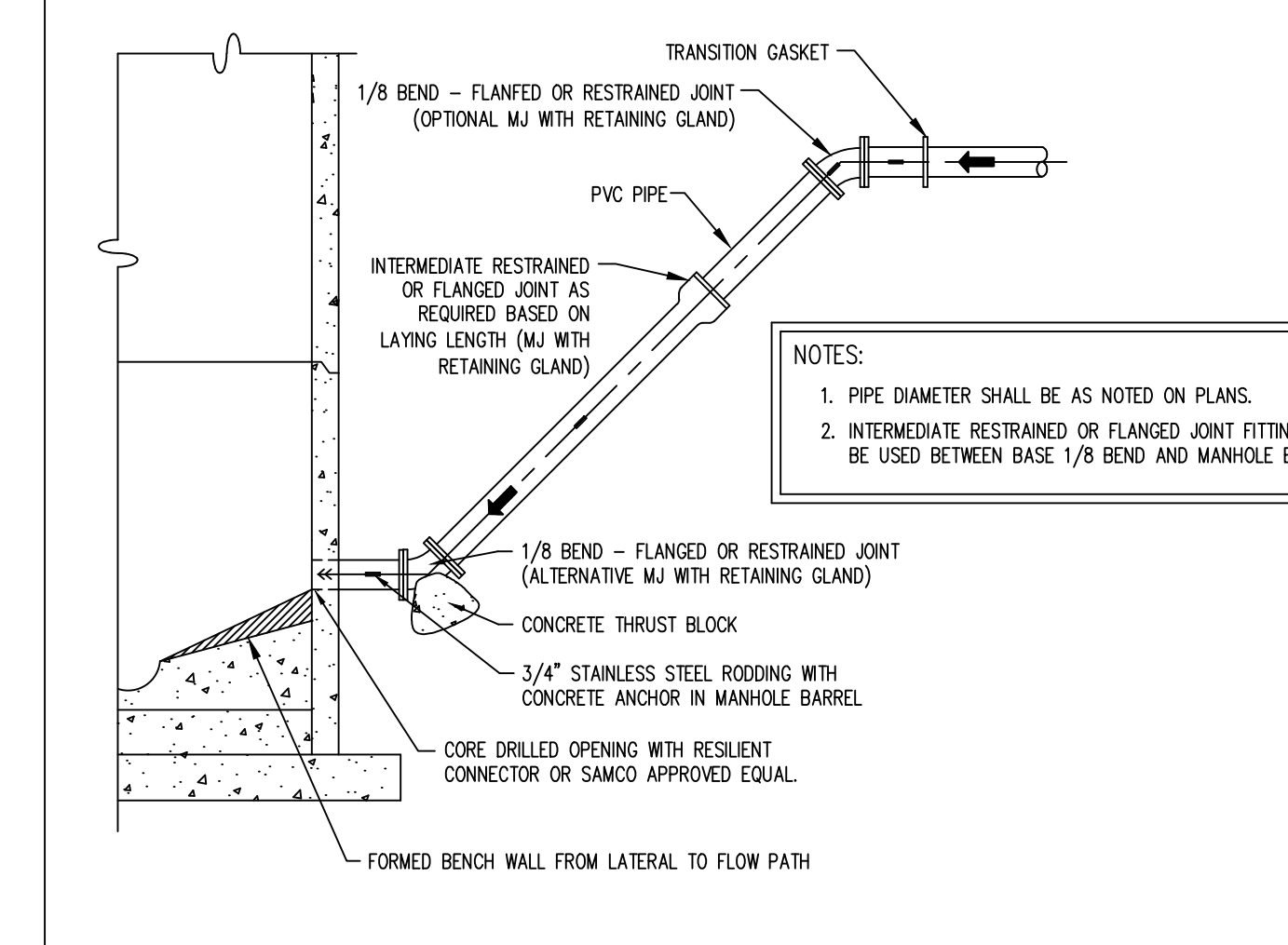


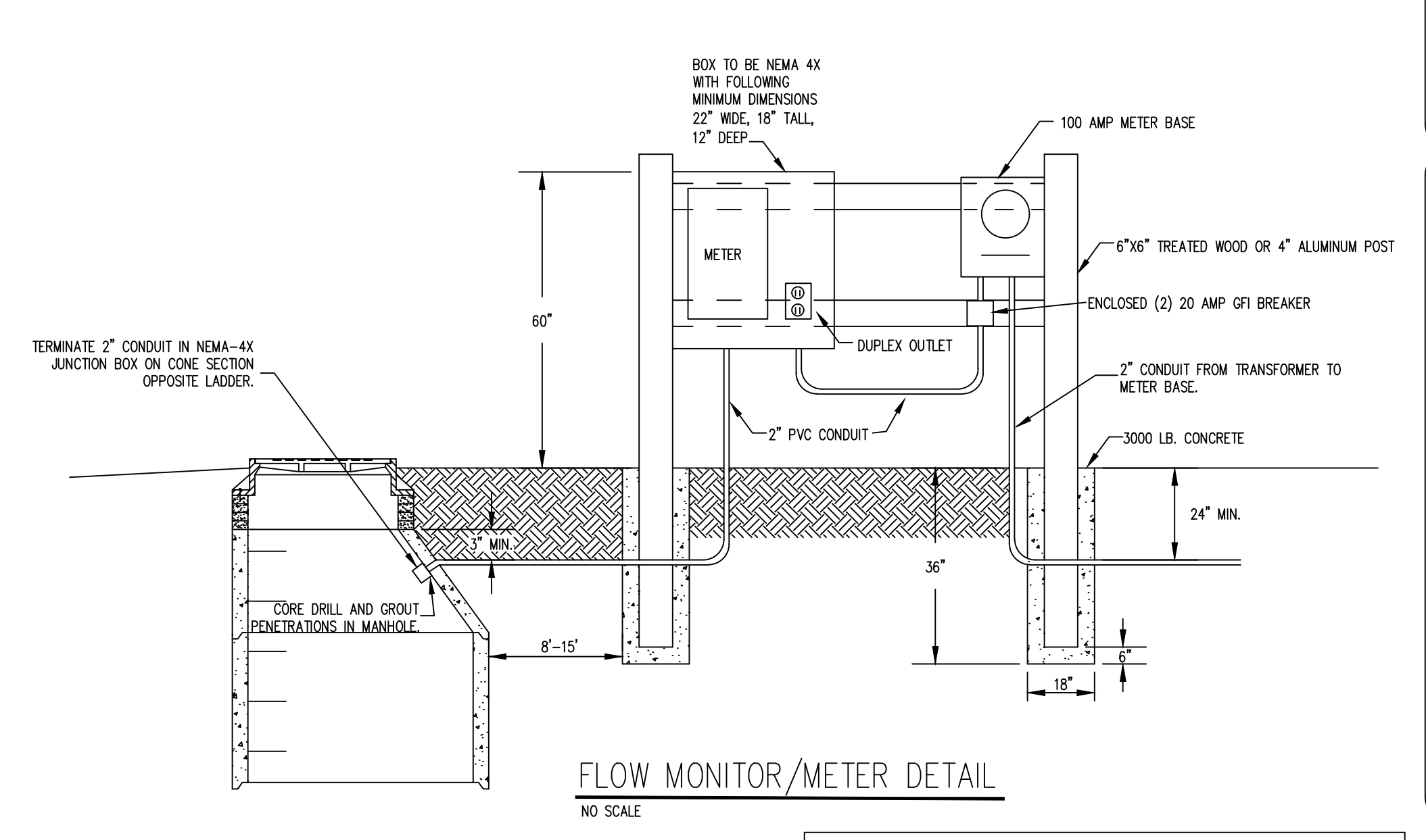
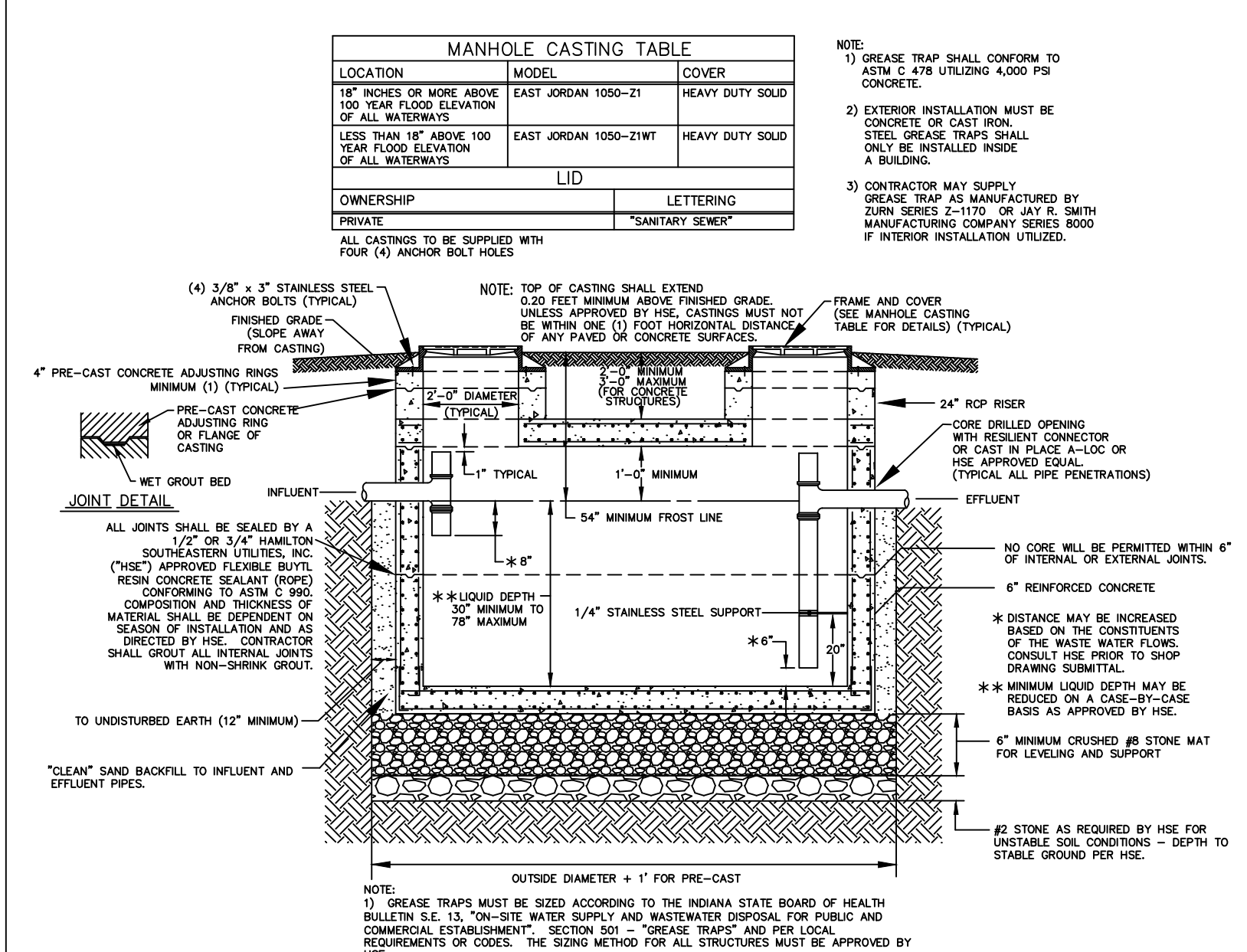
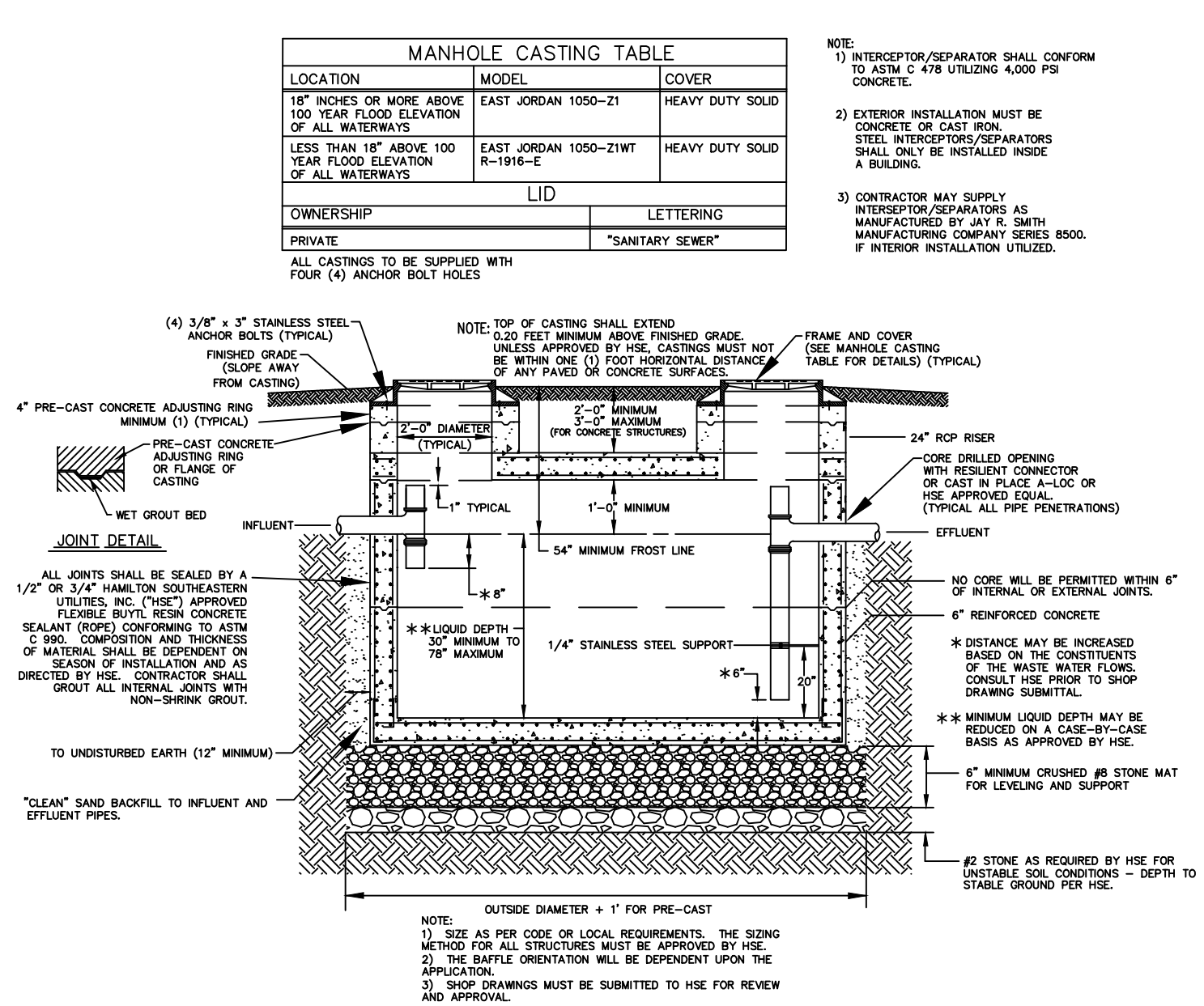
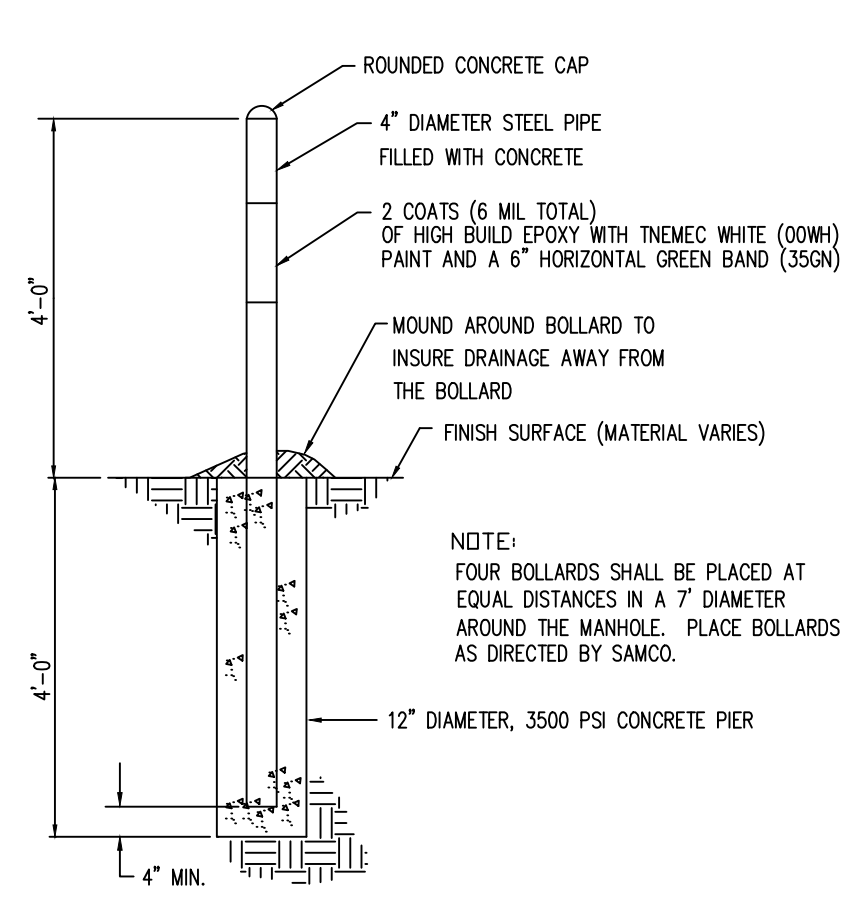
- NOTES:**
1. PROVIDE FULL LENGTH RIDGE VENT AND EAVE VENTS BOTH SIDES.
 2. ROOF TO SLOPE 1/8" WITH 6" MINIMUM OVERHANG.
 3. PROVIDE ELECTRIC WALL OR CEILING MOUNTED RESISTANCE TYPE HEATER (1500 WATT MINIMUM) WITH THERMOSTAT.
 4. PROVIDE (2) 100 WATT INCANDESCENT CORROSION PROOF LIGHT FIXTURES WITH GLOBE AND GUARD.
 5. PROVIDE STAINLESS STEEL OR 3/8" FIBERGLASS REINFORCED PLASTIC (FRPP) STAND OR WALL BRACKET FOR METERS PUMP.
 6. METERING PUMP SHALL BE PULSAFEEDER MODEL PRECISION II #P-03-M-1-KITZ AND BE PAGED BY A 4-20mA SIGNAL FROM THE LEVEL SENSOR IN THE CONTROL PANEL.
 7. MIXER SHALL BE PULSAFEEDER 1/20 HORSEPOWER 110 VOLT 60 HERTZ IMPELLER SHALL FIT STANDARD 55 GALLON DRUM BUNGE HOLE OPENING. OPTIONS: VINYL/FOAM AND EPOXY/FOAM. WIRE ONE RECEPTACLE TO TORKS 24 HOUR TIMER FOR MIXER CONTROL.
 8. PROVIDE CORPORATION STOP, ANTI-SIPHON VALVE ASSEMBLY, AND PRESSURE RELIEF VALVE, AS MANUFACTURED BY PULSAFEEDER MODELS #61136 (1"), #370400-PPL, AND #41597.
 9. CORPORATION STOP SHALL BE INSTALLED ON THE FORCE MAIN IN THE VALVE VAULT IMMEDIATELY PRIOR TO EXIT OF THE STRUCTURE.
 10. ALL PIPING SHALL BE STAINLESS STEEL TUBING, ALL BELOW GRADE PIPING SHALL BE INSTALLED WITH A SCHEDULE 40 PVC CARRIER PIPE.
 11. CEILING HEIGHT SHALL BE 7'-0" CLEAR SPACE.
 12. ALL WOOD PRODUCTS SHALL BE PRESSURE TREATED LUMBER AND/OR PLYWOOD.
 13. ROOF SHALL HAVE 25 YEAR WARRANTY (BLACK) SHINGLES.
 14. FRP CORROSION RESISTANT EXHAUST FAN SHALL BE PLACED IN GABLE OF ROOF (500 CFM MINIMUM) AND BE THERMOSTATICALLY CONTROLLED WITH A MANUAL OVERRIDE SWITCH MOUNTED BY THE DOOR.
 15. MINIMUM R-12 FIBERGLASS INSULATION THROUGHOUT STRUCTURE WITH VINYL BACKING.
 16. FLOOR SHALL BE MINIMUM 4" 3000 PSI CONCRETE WITH 4x4x6 WELDED WIRE FABRIC.
 17. PRESSURE RELIEF LINE SHALL BE PIPED TO RETURN TO THE 55 GALLON SUPPLY DRUM.



SODIUM HYPOCHLORITE ODOR CONTROL FACILITIES

CONNECT OF DEEP LATERAL TO MANHOLE DETAIL

STREAM CROSSING - SANITARY SEWER/FORCE MAIN



LOCATION	MODEL	COVER
15' INCHES OR MORE ABOVE 100 YEAR FLOOD ELEVATION OF ALL WATERWAYS	EAST JORDAN 1050-21	HEAVY DUTY SOLID
LESS THAN 15' ABOVE 100 YEAR FLOOD ELEVATION OF ALL WATERWAYS	EAST JORDAN 1050-21WT R-1916-E	HEAVY DUTY SOLID
OWNERSHIP	LID	LETTERING
PRIVATE	"SANITARY SEWER"	

LOCATION	MODEL	COVER
15' INCHES OR MORE ABOVE 100 YEAR FLOOD ELEVATION OF ALL WATERWAYS	EAST JORDAN 1050-21	HEAVY DUTY SOLID
LESS THAN 15' ABOVE 100 YEAR FLOOD ELEVATION OF ALL WATERWAYS	EAST JORDAN 1050-21WT R-1916-E	HEAVY DUTY SOLID
OWNERSHIP	LID	LETTERING
PRIVATE	"SANITARY SEWER"	

DISCLAIMER:
THESE MISCELLANEOUS SANITARY SEWER DETAILS ARE COMPLEMENTARY IN NATURE AND SHOULD NOT BE INTERPRETED INDIVIDUALLY WITHOUT REFERENCE TO THE OTHER.

REVISED 08/03/2016

REVISIONS

NO.	DATE	CHECK NO.	BY	DATE	CHECK
1	8/3/2016	1	WFE		

UPDATED DETAILS ADDED. INK/PAINT NOTE TO PIPE ENLARGED DETAIL.

DRAWN

CERTIFIED

PROJECT PREPARED FOR

JOB NO.

SCALE: N/A

TITLE: MISCELLANEOUS SANITARY DETAILS

SHEET OF

Engineering Company, Inc.
FISHERS, INDIANA 46038
317-577-1150 Fax 317-577-3642